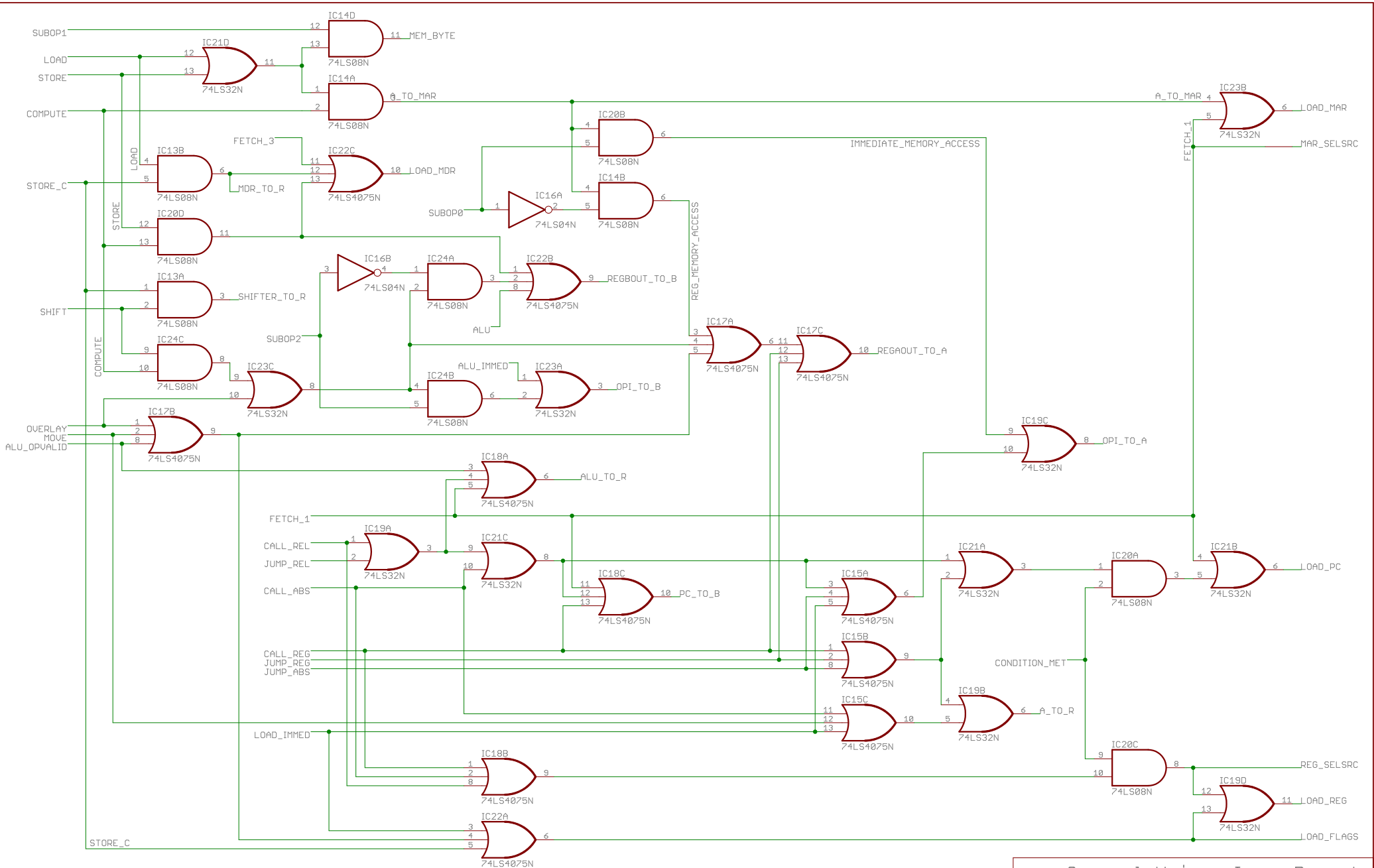
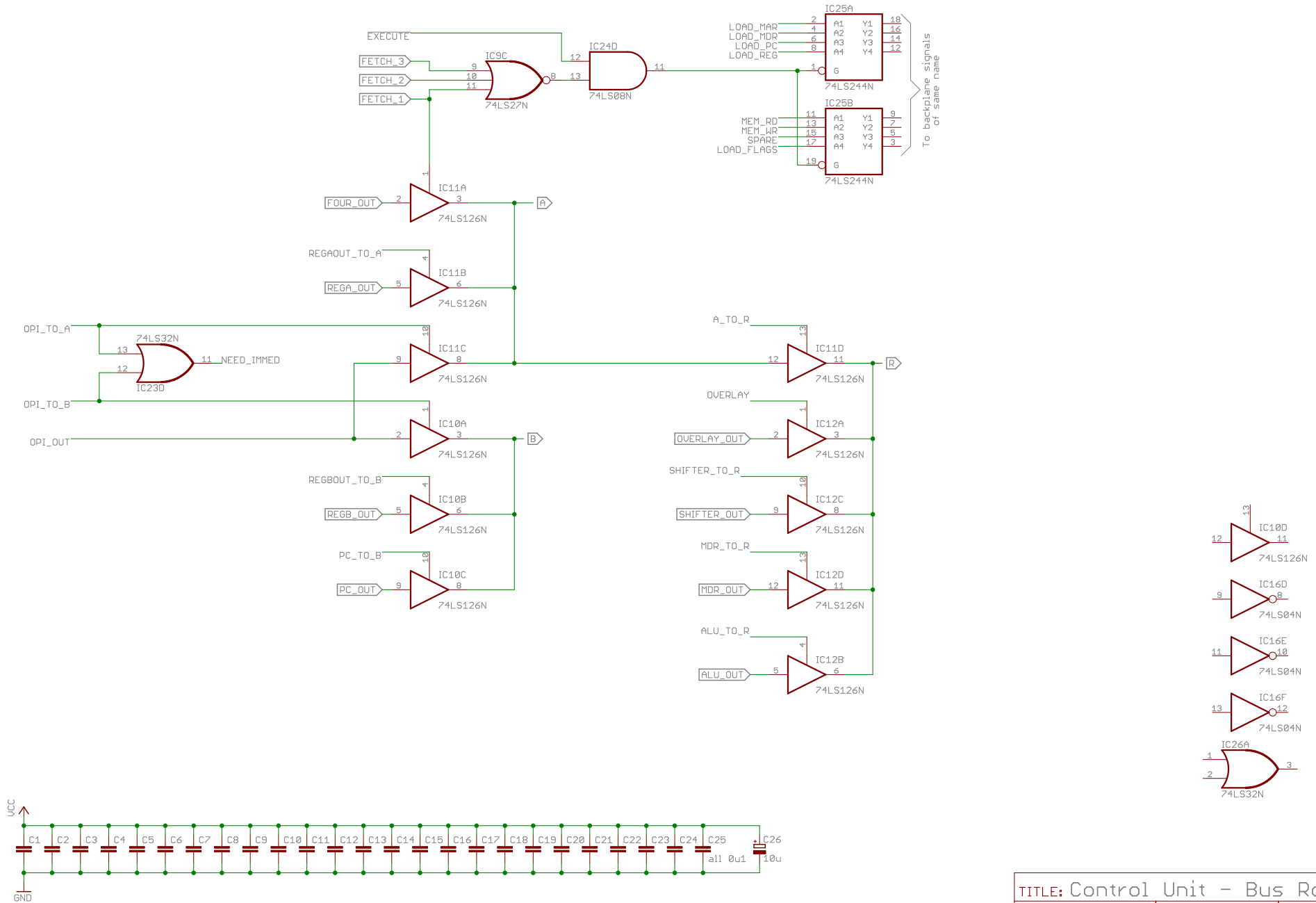


TITLE: Control Unit - Inst. Word			
Project:	Filename:	Author:	REV:
System/1	inst-word	BALJ	5
Date: 16th June 2015		Sheet: 1/1	



TITLE: Control Unit - Inst. Decode		
Project:	Filename:	Author: REV:
System/1	inst-decode	BALJ 3
Date: 6th June 2015		Sheet: 1/1



TITLE: Control Unit - Bus Routing			
Project:	Filename:	Author:	REV:
System/1	inst-buses	BALJ	1
Date:	6th June 2015		Sheet: 1/1